



PARTS CATALOG

DIESEL ENGINE

L100N5-GETM3

Published

Dec.,2009

OCR10-G80100

P R E F A C E

1. This Parts Catalog carries all parts incorporated in YANMAR Model L100N5-GETM3 engine manufactured since December, 2009.
2. Each illustration corresponds to the parts list on the following page.
3. When ordering parts, clearly write down the engine model and serial number, as well as the name and number of each part in your order sheet. This will help insure reliable delivery of the parts you have ordered.

Directions for the Parts Catalog.

1. The parts stipulated in this Parts Catalog are not necessarily standard equipped parts.
2. Parts may change without prior notice.
3. The following is an example of the Parts Catalog format.

REF.	LEV.	PARTS NO.	DESCRIPTION	Q'TY						I	R
				(A)	(B)	(C)	(D)	(E)	(F)		
1	1	729595-51390	FUEL INJECTION PUMP	1	1	1	1	1			1
1-1	1	729595-51391	FUEL INJECTION PUMP	1	1	1	1	1		N	1
		(A=E00185) (B=E00200)									
3	2	26022-060162	SCREW M 6X 16	9	9	9	9	9			
3-1	2	26022-060162	SCREW M 6X 16	4	4	4	4	4		K	
		(A=E00156) (B=E00156) (C=E00156) (D=E00156) (E=E00156)									
4	2	129470-51040	CAMSHAFT	1	1	1	1	1			
5	2	122710-51050	BEARING, ROLLER	2	2	2	2	2			
6	2	129470-51060	RETAINER	1	1	1	1	1			

Remarks
(1) BOOST COMPEMSATOR TYPE. OPTIONAL PART, TO E00155,(4JH-DT, 4JH-DTZ

① Ref. No.

The Ref. No. listed may not be in accordance with the illustration Ref. No.

(Ex.) Illustration No.

List Ref No.

1

1

(Before change)

1-1

(After change)

For interchangeable symbols N, R and K, illustrations for new parts may be abbreviated.

② Lev. (Level)

Level indication

The numbers below indicate the level of relativity towards the main part.

1 ----- Main parts (Assembly parts)

2 ----- Sub component included in " 1 ".

3 ----- Sub component included in " 2 ".

Note) Parts that are not for sale are partially illustrated but not listed.

③ Interchangeability Mark

When a part change takes place, one of the following interchangeability symbols is indicated beside the part.

Symbol	Interchangeability	Contents note
N	Old $\begin{matrix} \leftarrow \text{Yes} \\ \text{No} \rightarrow \end{matrix}$ New	New Part is interchangeable for Old Part but Old Part is not interchangeable for New Part.
Q	Old $\begin{matrix} \leftarrow \text{No} \\ \text{Yes} \rightarrow \end{matrix}$ New	New Part is not interchangeable for Old Part but Old Part is interchangeable for New Part.
R	Old $\begin{matrix} \leftarrow \text{Yes} \\ \text{Yes} \rightarrow \end{matrix}$ New	New/ Old Parts are both interchangeable.
S	Old $\begin{matrix} \leftarrow \text{No} \\ \text{No} \rightarrow \end{matrix}$ New	New/ Old Parts are both not interchangeable.
W		Part discontinued.
Z		Part newly added.
F		Not interchangeable by a single part but interchangeable together with related parts.
K		Changes only for used parts quantities.

④ Effective Machine No.

When a part changes, the effective Machine No. will be indicated in the (A)-(F) column.

Product Symbol	Product No.	Product Symbol	Product No.
C	Clutch No. Compressor No.	F	Machine No. (Agricultural Equip.)
D	Drive No.	M	Machine No.
E	Engine No.	Note 1)	Date

Note 1) A date may follow the symbol. (Ex.) 1996.01

Note 2) " XXX " are for parts that could not be predicted or for engine models that could not be identified.

Note 3) (A=E00185) is the E (Engine Serial Number) for the column (A) model (in this case 4JH-DT) after the parts design change.

⑤ Remarks Mark

Figures or alphabets (symbols) are entered in the remarks column.

The comments (remarks) on parts that are indicated at the bottom of the illustration are the same symbols as those stated above.

CONTENTS

MODEL : L100N5-GETM3

PC NO : 0CR10-G80100

Fig.No. GROUP NAME

L100N5-GETM3

1. CYLINDER BLOCK
2. CYLINDER HEAD & BONNET
3. SUCTION LINE
4. CRANKSHAFT, PISTON & CAMSHAFT
5. LUB.OIL PUMP & GOVERNOR
6. COOLING DEVICE
7. F.I.PUMP & F.I.VALVE
8. STARTING MOTOR & DYNAMO
9. TOOL, LABEL & GASKET SET
10. PACKAGED PART

Fig.No. GROUP NAME

Fig.1. CYLINDER BLOCK

OCR10-G80100 1. CYLINDER BLOCK

(A)=L100N5-GETM3

(B)=

(C)=

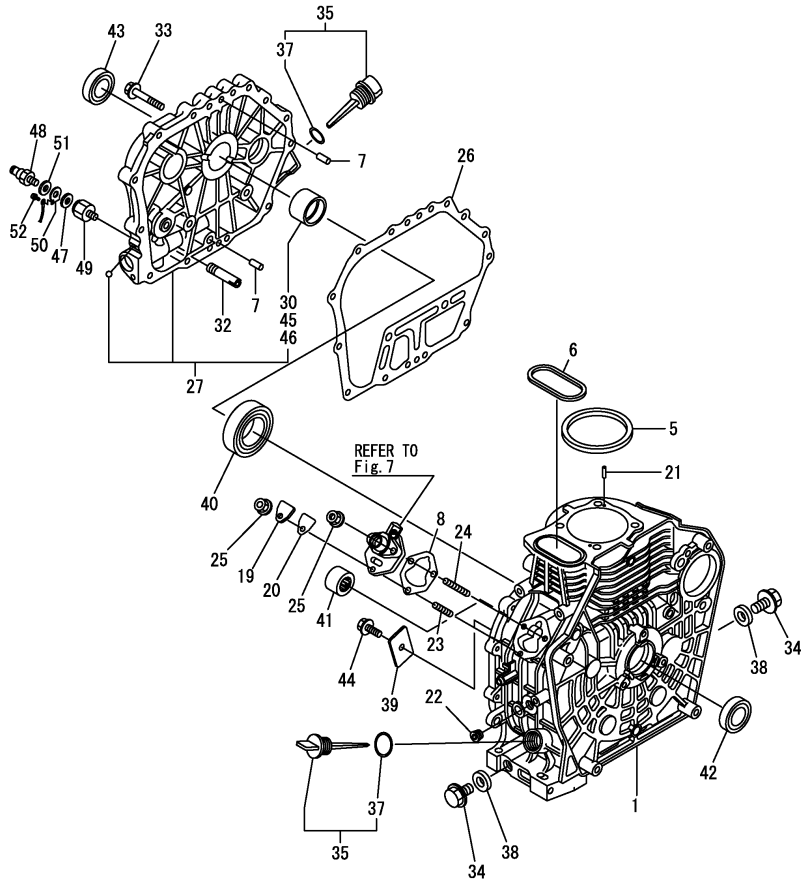
(D)=

(E)=

(F)=

QTY

REF.	LEV.	PARTS NO.	DESCRIPTION	QTY						I	R
				(A)	(B)	(C)	(D)	(E)	(F)		
1	1	11431C-01020	BLOCK ASSY, CYLINDER	1							
5	1	114651-01340	GASKET, HEAD 0.5	1							
6	1	114650-01380	O-RING	1							
7	1	114270-01600	PARALLEL PIN, M8X12	2							
8	1	114250-01800	SHIM SET	1							
19	1	114250-01830	COVER	1							
20	1	114250-01841	GASKET	1							
21	1	22312-040080	PARALLEL PIN, M4X8	2							
22	1	23875-020000	PLUG PT1/4,STEEL	1							
23	1	26226-060182	STUD M 6X 18 PLATED	1							
24	1	26226-060222	STUD M 6X 22 PLATED	2							
25	1	26366-060002	NUT M 6	3							
26	1	114650-01412	GASKET, CRANK CASE	1							
27	1	11431C-01450	COVER(D, CRANK CASE	1							
30	2	114650-02100	BEARING, MAIN	1							1
32	1	114250-35150	PIPE, OIL INLET	1							
33	1	26106-080352	BOLT M 8X 35 PLATED	16							
34	1	105425-01690	PLUG, M16	2							
35	1	114699-01760	CAP ASSY, LO SUPPLY	2							
37	2	114299-01950	O-RING	2							
38	1	22190-160002	WASHER, 16	2							
39	1	114299-02030	RETAINER, BEARING	1							
40	1	114650-02150	BALL BEARING	1							
41	1	24162-152220	NEEDLE, 152220	1							
42	1	24423-355008	SEAL, OIL	1							
43	1	24423-355008	SEAL, OIL	1							
44	1	26106-080122	BOLT M 8X 12 PLATED	1							
45	1	114650-02200	MAIN BEARING US=0.25	1							2
46	1	114650-02210	MAIN BEARING US=0.50	1							3
47	1	183366-08290	WASHER, RUBBER	1							
48	1	183250-39450	SWITCH, OIL PRESSURE	1							
49	1	183366-39460	JOINT, INSULATION	1							
50	1	171022-39470	TERMINAL, EARTH	1							
51	1	22117-100000	WASHER 10	1							
52	1	26557-040082	SCREW, M4X8	1							



Remarks

- (1)REPAIR PART.
- (2)UNDER SIZED(U.S.=0.25)PART.
- (3)UNDER SIZED(U.S.=0.50)PART.

Fig.2. CYLINDER HEAD & BONNET

(A)=L100N5-GETM3

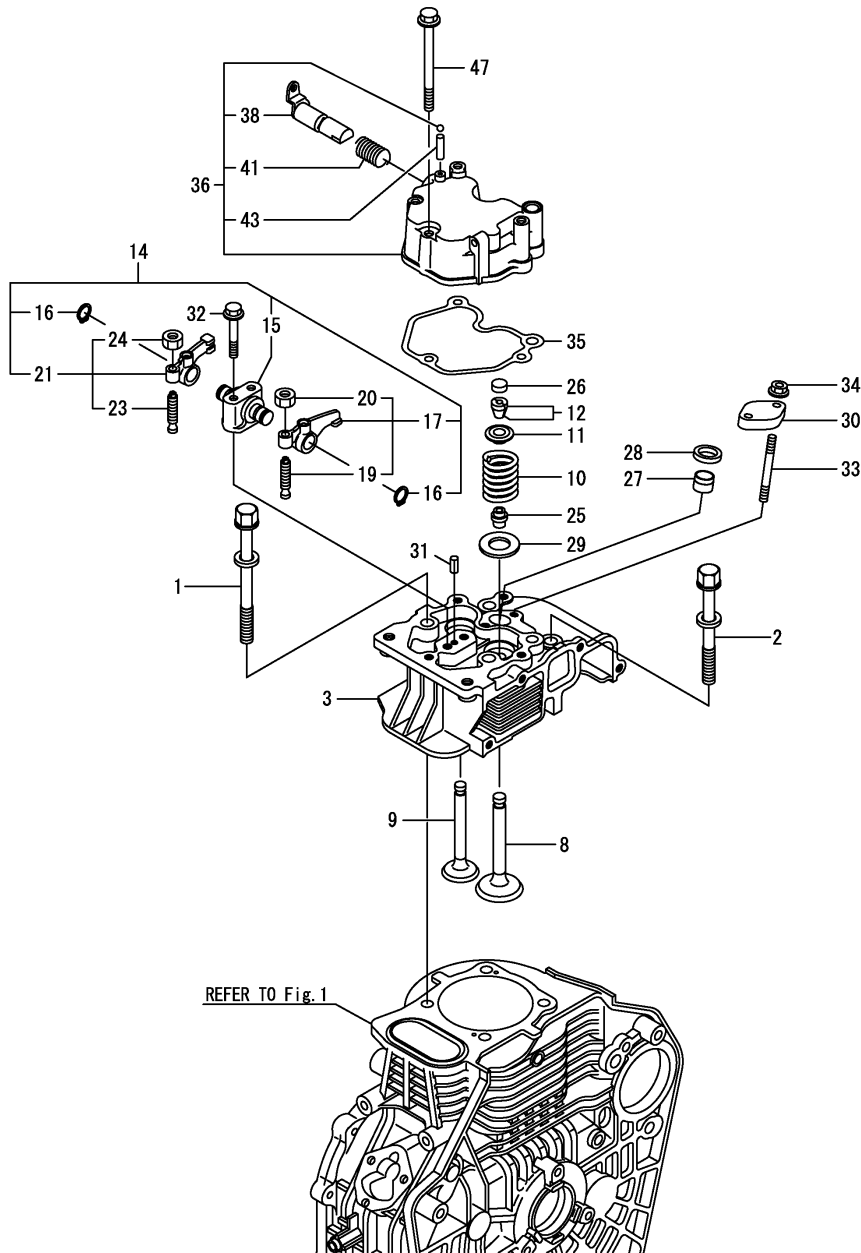
(B)=

(C)=

(D)=

(E)=

(F)=



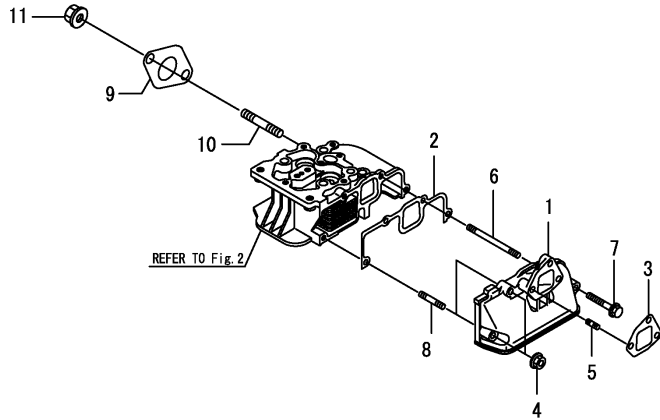
REF.	LEV.	PARTS NO.	DESCRIPTION	QTY						I	R
				(A)	(B)	(C)	(D)	(E)	(F)		
1	1	114310-01200	BOLT, CYL.HEAD A	2							
2	1	114310-01210	BOLT, CYL.HEAD B	2							
3	1	11432C-11020	HEAD ASSY, CYLINDER	1							
8	1	11431C-11100	VALVE, INTAKE	1							
9	1	11431C-11110	VALVE, EXHAUST	1							
10	1	114310-11120	SPRING, VALVE	2							
11	1	114310-11180	RETAINER, SPRING	2							
12	1	114310-11930	COTTER ASSY	2							
14	1	11431C-11250	SUPPORT ASSY, ROCKER	1							
15	2	11431C-11260	SUPPORT, ROCKER ARM	1							
16	2	22243-000150	RING 15	2							
17	2	11431C-11650	ARM ASSY, INTAKE	1							
19	3	114250-11240	SCREW, VALVE ADJUST.	1							
20	3	26856-060002	NUT, M6	1							
21	2	11431C-11660	ARM ASSY, EXHAUST	1							
23	3	114250-11240	SCREW, VALVE ADJUST.	1							
24	3	26856-060002	NUT, M6	1							
25	1	114650-11340	SEAL, VALVE STEM	2							
26	1	104211-11370	CAP, VALVE	2							
27	1	114339-11451	PROTECTOR, NOZZLE	1							
28	1	114339-11551	SEAT, NOZZLE	1							
29	1	114650-11600	WASHER	2							
30	1	114210-11901	RETAINER, NOZZLE	1							
31	1	22351-040008	SPRING PIN 4X 8	1							
32	1	26106-080502	BOLT M 8X 50 PLATED	2							
33	1	26226-060552	STUD M6X 55 PLATED	2							
34	1	26366-060002	NUT M 6	2							
35	1	114310-11310	GASKET, BONNET	1							
36	1	11431C-11960	BONNET ASSY, HEAD	1							
38	2	114210-03580	DECOMPRESSION ASSY	1							
41	2	114250-03640	SPRING,DECOMPRESSION	1							
43	2	22312-030160	PARALLEL PIN, M3X16	1							
47	1	26106-060652	BOLT M 6X 65 PLATED	3							

Fig.3. SUCTION LINE

OCR10-G80100 3. SUCTION LINE

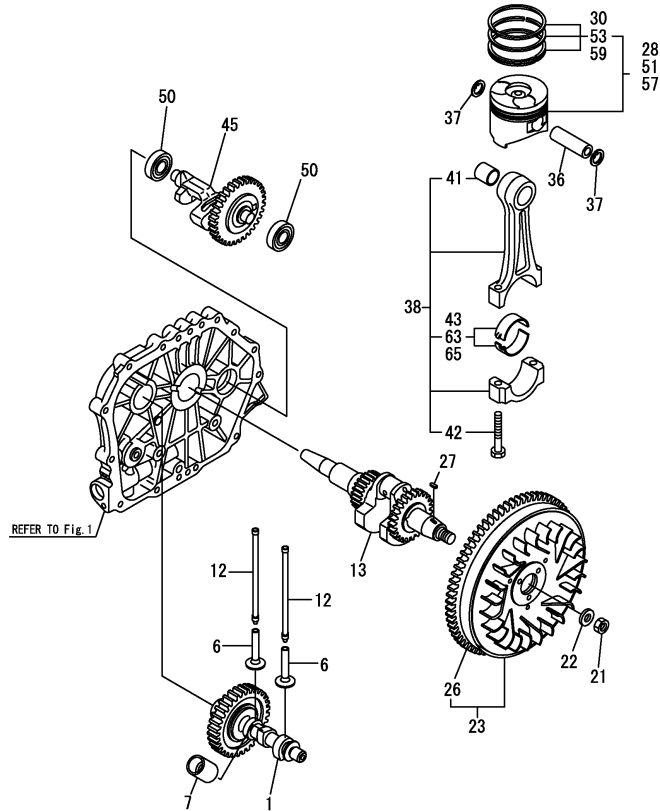
(A)=L100N5-GETM3
(B)=
(C)=

(D)=
(E)=
(F)=



REF.	LEV.	PARTS NO.	DESCRIPTION	Q'TY						I	R
				(A)	(B)	(C)	(D)	(E)	(F)		
1	1	114310-12050	MANIFOLD, INTAKE	1							
2	1	114310-12210	GASKET, AIR CLEANER	1							
3	1	114650-12211	GASKET, AIR CLEANER	1							
4	1	114250-12300	NUT	5							
5	1	26226-060142	STUD M 6X 14 PLATED	2							
6	1	114310-45360	STUD BOLT, TOP COVER	1							
7	1	26106-060352	BOLT M 6X 35 PLATED	1							
8	1	26226-060352	STUD M 6X 35 PLATED	2							
9	1	114310-13200	GASKET, MUFFLER	1							
10	1	26216-080182	STUD M 8X 18 PLATED	2							
11	1	26306-080002	NUT, M8	2							

Fig.4. CRANKSHAFT, PISTON & CAMSHAFT



OCR10-G80100 4. CRANKSHAFT, PISTON & CAMSHAFT

(A)=L100N5-GETM3

(B)=

(C)=

(D)=

(E)=

(F)=

REF.	LEV.	PARTS NO.	DESCRIPTION	QTY						I	R
				(A)	(B)	(C)	(D)	(E)	(F)		
1	1	71432C-14010	CAMSHAFT ASSY	1							
6	1	114310-14200	TAPPET	2							
7	1	114210-14300	TAPPET ASSY, ROLLER	1							
12	1	114310-14400	ROD ASSY, PUSH	2							
13	1	11431C-21740	CRANKSHAFT(E-DG ASSY	1							
21	1	122710-01220	NUT M18	1							
22	1	114650-21551	WASHER, FLYWHEEL	1							
23	1	11431C-21590	FLYWHEEL ASSY, DE	1							
26	2	11431C-21600	GEAR, RING D	1							
27	1	22512-050140	KEY, 5X14	1							
28	1	714320-22720	PISTON W/RINGS (D	1							
30	2	714310-22500	RING SET, PISTON	1							
36	1	114699-22300	PIN, PISTON	1							
37	1	129792-22400	CIRCLIP, 23	2							
38	1	71431C-23010	ROD ASSY, CONNECTING	1							
41	3	124060-23100	BUSH, PISTON PIN	1							
42	3	119810-23200	BOLT, CONNECTING ROD	2							
43	2	714650-23600	BEARING, CRANKPIN	1							
45	1	71431C-28510	SHAFT ASSY, BALANCER	1							
50	1	24101-063040	BALL BEARING	2							
51	1	714320-22620	PISTON W/RING .25OS	1							1
53	2	714310-22540	RING SET O.S.=0.25	1							1
57	1	714320-22580	PISTON W/RING .50OS	1							2
59	2	714310-22550	RING SET O.S.=0.50	1							2
63	1	714650-23610	BEARING,PIN(U.S.=0.25	1							3
65	1	714650-23620	BEARING,PIN(U.S.=0.50	1							4

Remarks

- (1)OVER SIZED(O.S.=0.25)PART.
- (2)OVER SIZED(O.S.=0.50)PART.
- (3)UNDER SIZED(U.S.=0.25)PART.
- (4)UNDER SIZED(U.S.=0.50)PART.

Fig.5. LUB.OIL PUMP & GOVERNOR

(A)=L100N5-GETM3

(B)=

(C)=

(D)=

(E)=

(F)=

REF.	LEV.	PARTS NO.	DESCRIPTION	QTY						I	R
				(A)	(B)	(C)	(D)	(E)	(F)		
1	1	114650-32010	PUMP ASSY, LUB.OIL	1							
7	1	114250-32070	COVER, LUB. OIL PUMP	1							
8	1	103338-32570	O-RING	1							
9	1	22312-030160	PARALLEL PIN, M3X16	1							
10	1	26106-060122	BOLT M 6X 12 PLATED	3							
11	1	114250-35110	FILTER ASSY, OIL	1							
13	2	24341-000224	O-RING 1A S-22.4	1							
14	1	26106-060162	BOLT M 6X 16 PLATED	1							
15	1	114770-61190	WASHER	1							
16	1	714210-61700	GOVERNOR ASSY	1							
17	2	114210-61290	WEIGHT ASSY,GOVERNOR	1							
22	1	114311-61500	LEVER ASSY, GOVERNOR	1							
31	2	22322-030200	TAPER PIN, 3X20	1							
33	1	114770-61520	BEARING,NEEDLE	2							
34	1	114770-61600	SEAL, OIL	1							
35	1	114770-61610	WASHER, THRUST	1							
36	1	114252-66053	HANDLE, REGULATOR	1							
38	2	105225-66990	SCREW	1							
39	1	114349-66110	BRACKET, REGULATOR	1							
40	1	114252-66252	SPRING, RETURN	1							
41	1	114250-66440	BOLT, ADJUSTING	1							
42	1	26106-060142	BOLT M 6X 14 PLATED	1							
43	1	26106-060202	BOLT M 6X 20 PLATED	1							
44	1	26757-060002	NUT M 6	1							
45	1	114320-66010	SPRING, REGULATOR	1							
46	1	114250-66200	SPRING, RETURN	1							
47	1	114780-61090	TIN	2							
48	1	22451-060000	WIRE, 0.6	2							
49	1	114211-66600	LIMITER ASSY, FUEL	1							
54	1	26776-100002	LOCK NUT M10 PLATED	1							

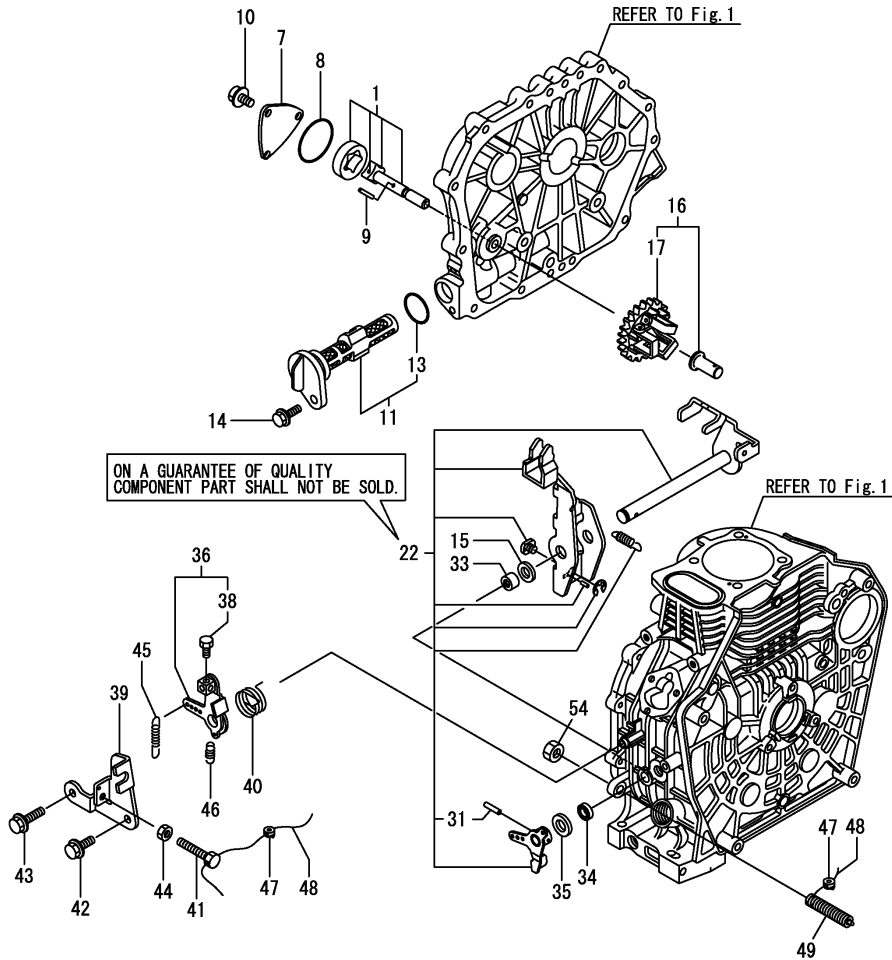


Fig.6. COOLING DEVICE

OCR10-G80100 6. COOLING DEVICE

(A)=L100N5-GETM3

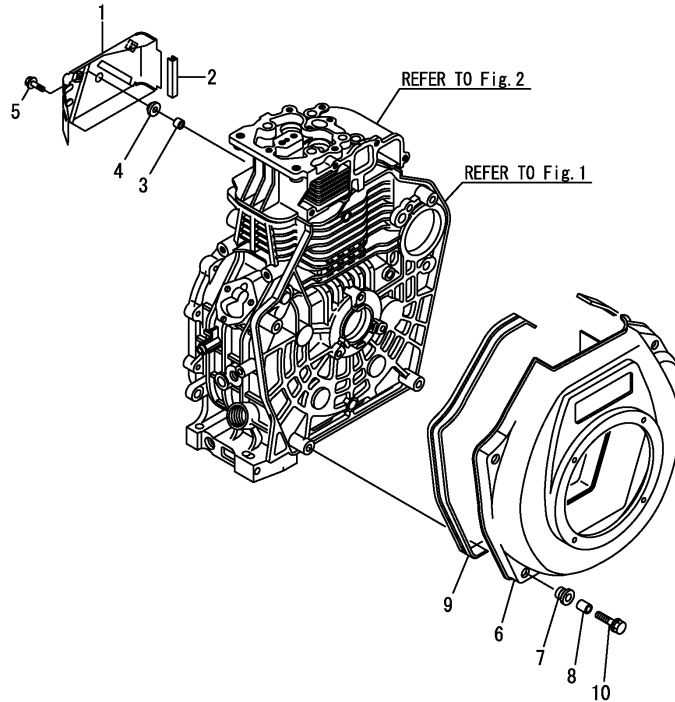
(B)=

(C)=

(D)=

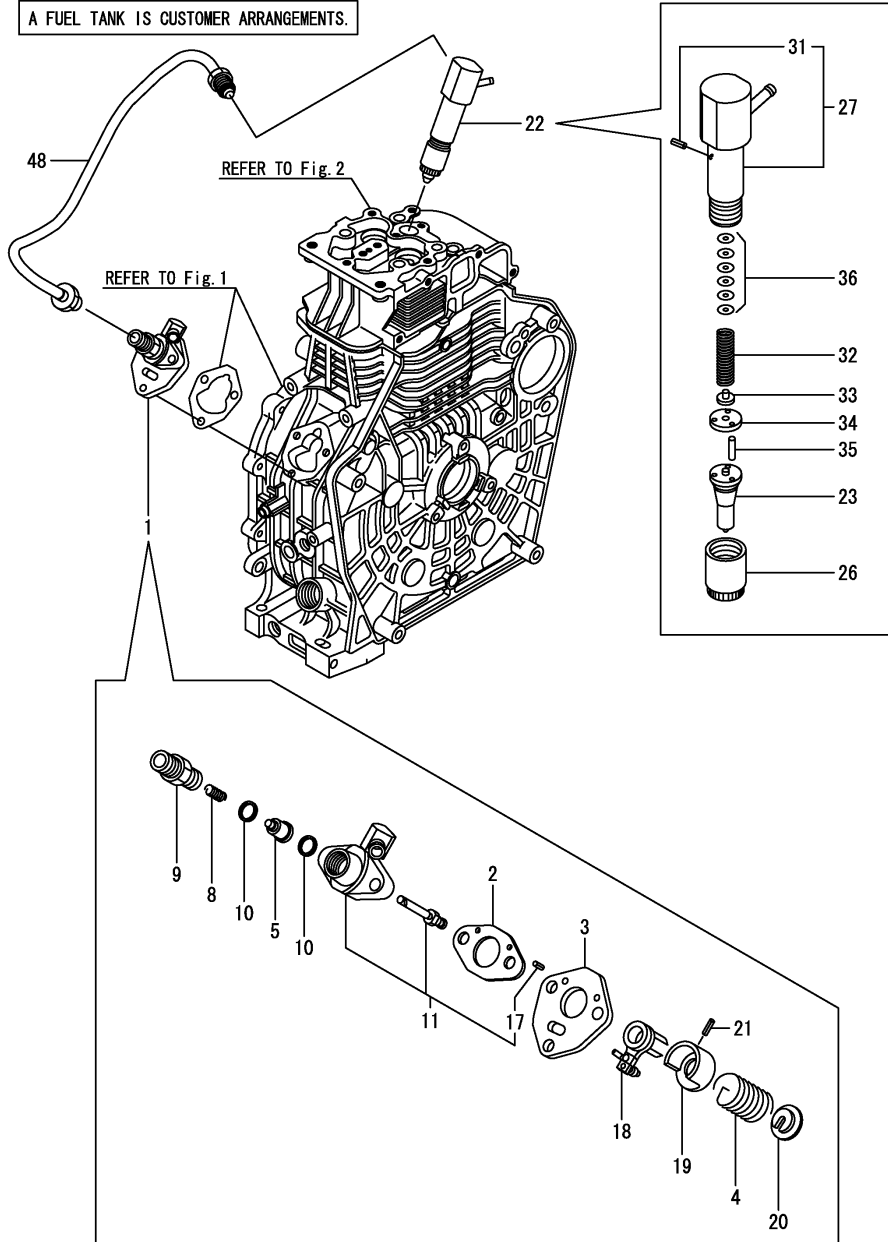
(E)=

(F)=



REF.	LEV.	PARTS NO.	DESCRIPTION	Q'TY						I	R
				(A)	(B)	(C)	(D)	(E)	(F)		
1	1	11431C-45260	COVER B, SIDE (13)	1							
2	1	114350-45320	RUBBER, SEAL	1							
3	1	114350-45340	COLLAR	1							
4	1	183720-55210	GROMMET	1							
5	1	26106-060202	BOLT M 6X 20 PLATED	1							
6	1	11431C-45100	FAN CASE (GRAY)(2K)	1							
7	1	114250-45301	RUBBER, CUSHION	4							
8	1	114250-45310	COLLAR, FAN CASE	4							
9	1	114650-45330	SEAL, FAN CASE	1							
10	1	114370-45351	BOLT, FAN CASE	4							

Fig.7. F.I.PUMP & F.I.VALVE



(A)=L100N5-GETM3

(B)=

(C)=

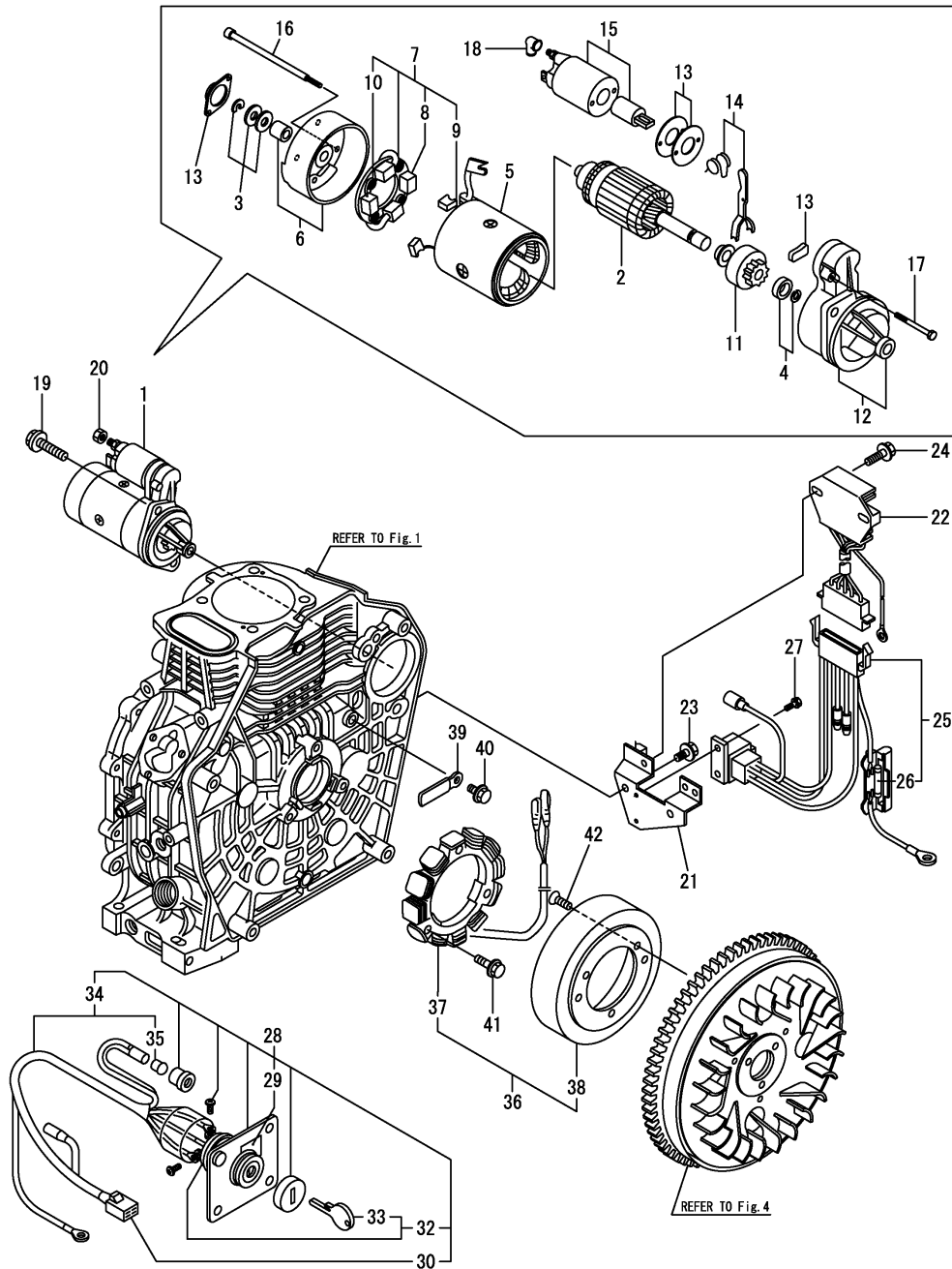
(D)=

(E)=

(F)=

REF.	LEV.	PARTS NO.	DESCRIPTION	QTY						I	R
				(A)	(B)	(C)	(D)	(E)	(F)		
1	1	714339-51430	F.I.PUMP ASSY	1							
2	2	105546-51020	GASKET	1							
3	2	114250-51080	PLATE	1							
4	2	114250-51160	SPRING, PLUNGER	1							
5	2	114650-51300	VALVE ASSY, DELIVERY	1							
8	2	105546-51330	SPRING, DELIVERY	1							
9	2	114250-51340	HOLDER, DELIVERY	1							
10	2	124550-51350	GASKET, DELIVERY	2							
11	2	114339-51500	BODY ASSY,FOP	1							
17	4	22351-020006	SPRING PIN 2X 6	2							
18	2	114250-51600	LEVER ASSY, CONTROL	1							
19	2	114250-51640	SEAT, SPRING A	1							
20	2	114250-51650	SEAT, SPRING B	1							
21	2	22351-030008	SPRING PIN 3X 8	1							
22	1	714339-53100	VALVE ASSY,INJECTION	1							
23	2	114339-53050	VALVE ASSY,INJECTION	1							
26	2	114250-53080	NUT, CASE	1							
27	2	114339-53100	HOLDER ASSY, NOZZLE	1							
31	3	22351-025005	SPRING PIN 2.5AX 6	1							
32	2	114250-53120	SPRING, NOZZLE	1							
33	2	114250-53130	SEAT, SPRING	1							
34	2	114250-53140	PLATE, STOP	1							
35	2	114250-53210	PIN	2							
36	2	114250-53400	SHIM SET	1							
48	1	114310-59810	PIPE, FUEL INJECTION	1							

Fig.8. STARTING MOTOR & DYNAMO



(A)=L100N5-GETM3

(B)=

(C)=

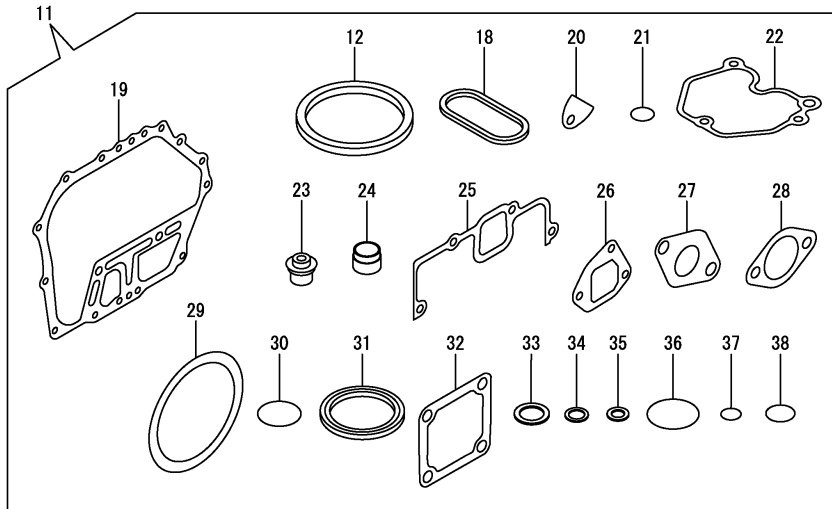
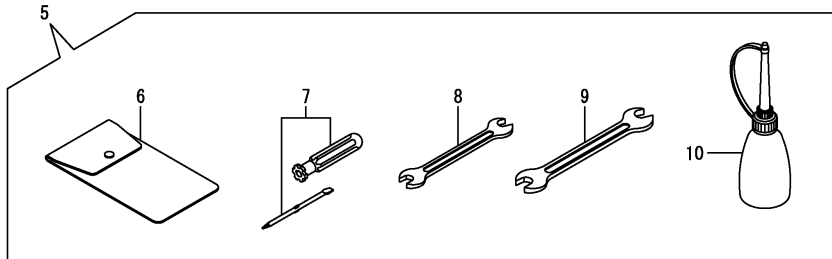
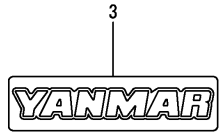
(D)=

(E)=

(F)=

REF.	LEV.	PARTS NO.	DESCRIPTION	QTY						I	R
				(A)	(B)	(C)	(D)	(E)	(F)		
1	1	114362-77011	STARTER(HITACHI 12V	1							
2	2	114381-77110	ARMATURE	1							
3	2	X2114811000	WASHER KIT, THRUST	1							
4	2	X2114715500	STOPPER SET, PINION	1							
5	2	114381-77130	COIL ASSY, FIELD	1							
6	2	114381-77140	COVER, REAR	1							
7	2	114371-77160	HOLDER ASSY, BRUSH	1							
8	3	114371-79040	BRUSH (-)	2							
9	3	114371-79050	BRUSH (+)	1							
10	3	114371-79060	SPRING, BRUSH	4							
11	2	X211485016	PINION ASSY	1							
12	2	114381-77151	HOUSING ASSY, GEAR	1							
13	2	114371-77170	COVER KIT, DUST	1							
14	2	114371-77180	SHIFT LEVER KIT	1							
15	2	124298-77020	SWITCH, MAGNET	1							
16	2	124195-77770	THROUGH BOLT	2							
17	2	114371-79070	BOLT M 6X 37	2							
18	2	X2114274200	COVER, TERMINAL	1							
19	1	26106-100302	BOLT M10X 30 PLATED	2							
20	1	26716-080002	NUT M 8	1							
21	1	114385-77400	BRACKET, HARNESS	1							
22	1	114340-77710	LIMITER, CURRENT 15A	1							
23	1	26106-060122	BOLT M 6X 12 PLATED	2							
24	1	26106-060202	BOLT M 6X 20 PLATED	2							
25	1	114351-77540	HARNESS, WIRE	1							
26	2	29411-200000	FUSE (20A),CARTRIDGE	2							
27	1	26023-040102	SCREW, M4X10	2							
28	1	114351-77500	PANEL ASSY,KEYSWITCH	1							
29	2	105198-07120	LABEL, START SWITCH	1							
30	2	114351-77520	JOINT	1							
32	2	106100-77620	SWITCH, KEY	1							
33	3	106100-77630	KEY, STARTER	1							
34	2	114351-77700	HARNESS, WIRE	1							
35	3	29220-083200	BULB (12V/3.4W)	1							
36	1	114351-78290	DYNAMO ASSY	1							
37	2	114351-78830	STATOR ASSY, 132.1MM	1							
38	2	114351-78840	WHEEL, DYNAMO	1							
39	1	160710-78710	CLAMP, CORD	1							
40	1	26106-060122	BOLT M 6X 12 PLATED	1							
41	1	26106-060202	BOLT M 6X 20 PLATED	3							
42	1	26577-060142	SCREW M 6X 14	3							

Fig.9. TOOL, LABEL & GASKET SET



Remarks
(1)OPTIONAL

OCR10-G80100 9. TOOL, LABEL & GASKET SET

(A)=L100N5-GETM3

(B)=

(C)=

(D)=

(E)=

(F)=

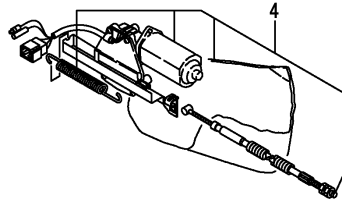
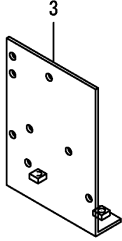
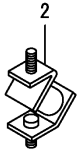
REF.	LEV.	PARTS NO.	DESCRIPTION	QTY						I	R
				(A)	(B)	(C)	(D)	(E)	(F)		
3	1	114250-07111	LABEL, YANMAR	1							
5	1	714250-92100	TOOL KIT	1							
6	2	114250-92600	BAG, TOOL	1							
7	2	160330-92730	SCREWDRIVER (+)	1							
8	2	28110-100120	WRENCH 10X12	1							
9	2	28110-140170	WRENCH 14X17	1							
10	2	28210-000150	FEEDER, OIL	1							
11	1	114320-92600	GASKET SET(NON-ASB.)	1							1
12	2	114695-01331	GASKET ASSY,CYL.HEAD	1							
18	2	114699-01380	O-RING	1							
19	2	114699-01410	GASKET, CRANK CASE	1							
20	2	114250-01841	GASKET	1							
21	2	114299-01950	O-RING	2							
22	2	114310-11310	GASKET, BONNET	1							
23	2	114650-11340	SEAL, VALVE STEM	2							
24	2	114771-11461	GASKET, NOZZLE	1							
25	2	114310-12210	GASKET, AIR CLEANER	1							
26	2	114699-12210	GASKET, CLEANER	2							
27	2	114310-13200	GASKET, MUFFLER	1							
28	2	183671-13211	GASKET, EXH.PIPE	1							
29	2	114399-21980	GASKET	1							
30	2	114299-32570	O-RING, COVER	1							
31	2	160393-55050	GASKET, TANK CAP	4							
32	2	129100-77510	GASKET, AIR HEATER	3							
33	2	22190-160002	WASHER, 16	2							
34	2	23414-080000	GASKET 8, ROUND	1							
35	2	23414-120000	GASKET 12, ROUND	1							
36	2	24311-000400	O-RING 1A P-40.0	1							
37	2	24341-000150	O-RING 1A S-15.0	2							
38	2	24341-000224	O-RING 1A S-22.4	1							

Fig.10. PACKAGED PART

(A)=L100N5-GETM3
(B)=
(C)=

(D)=
(E)=
(F)=

REF.	LEV.	PARTS NO.	DESCRIPTION	Q'TY						I	R
				(A)	(B)	(C)	(D)	(E)	(F)		
2	1	183279-08210	DAMPER	4							
3	1	183993-77410	BRACKET, STOP MOTOR	1							
4	1	114654-77910	ENGINE STOP DEVICE	1							



Part Number Index

All parts are stipulated in the order of part numbers.

(Depending on the area in which the part is used.)

This index will display the location of the part according to each part number.

PARTS No. INDEX

PARTS No.	Fig.	Ref.No.
103338-32570	5	8
104211-11370	2	26
105198-07120	8	29
105225-66990	5	38
105425-01690	1	34
105546-51020	7	2
105546-51330	7	8
106100-77620	8	32
106100-77630	8	33
114210-03580	2	38
114210-11901	2	30
114210-14300	4	7
114210-61290	5	17
114211-66600	5	49
114250-01800	1	8
114250-01830	1	19
114250-01841	1	20
	9	20
114250-03640	2	41
114250-07111	9	3
114250-11240	2	19
		23
114250-12300	3	4
114250-32070	5	7
114250-35110	5	11
114250-35150	1	32
114250-45301	6	7
114250-45310	6	8
114250-51080	7	3
114250-51160	7	4
114250-51340	7	9
114250-51600	7	18
114250-51640	7	19
114250-51650	7	20
114250-53080	7	26
114250-53120	7	32
114250-53130	7	33
114250-53140	7	34
114250-53210	7	35
114250-53400	7	36
114250-66200	5	46
114250-66440	5	41
114250-92600	9	6
114252-66053	5	36
114252-66252	5	40
114270-01600	1	7
114299-01950	1	37
	9	21
114299-02030	1	39
114299-32570	9	30

PARTS No.	Fig.	Ref.No.
114310-01200	2	1
114310-01210	2	2
114310-11120	2	10
114310-11180	2	11
114310-11310	2	35
	9	22
114310-11930	2	12
114310-12050	3	1
114310-12210	3	2
	9	25
114310-13200	3	9
	9	27
114310-14200	4	6
114310-14400	4	12
114310-45360	3	6
114310-59810	7	48
114311-61500	5	22
11431C-01020	1	1
11431C-01450	1	27
11431C-11100	2	8
11431C-11110	2	9
11431C-11250	2	14
11431C-11260	2	15
11431C-11650	2	17
11431C-11660	2	21
11431C-11960	2	36
11431C-21590	4	23
11431C-21600	4	26
11431C-21740	4	13
11431C-45100	6	6
11431C-45260	6	1
114320-66010	5	45
114320-92600	9	11
11432C-11020	2	3
114339-11451	2	27
114339-11551	2	28
114339-51500	7	11
114339-53050	7	23
114339-53100	7	27
114340-77710	8	22
114349-66110	5	39
114350-45320	6	2
114350-45340	6	3
114351-77500	8	28
114351-77520	8	30
114351-77540	8	25
114351-77700	8	34
114351-78290	8	36
114351-78830	8	37
114351-78840	8	38

PARTS No.	Fig.	Ref.No.
114362-77011	8	1
114370-45351	6	10
114371-77160	8	7
114371-77170	8	13
114371-77180	8	14
114371-79040	8	8
114371-79050	8	9
114371-79060	8	10
114371-79070	8	17
114381-77110	8	2
114381-77130	8	5
114381-77140	8	6
114381-77151	8	12
114385-77400	8	21
114399-21980	9	29
114650-01380	1	6
114650-01412	1	26
114650-02100	1	30
114650-02150	1	40
114650-02200	1	45
114650-02210	1	46
114650-11340	2	25
	9	23
114650-11600	2	29
114650-12211	3	3
114650-21551	4	22
114650-32010	5	1
114650-45330	6	9
114650-51300	7	5
114651-01340	1	5
114654-77910	10	4
114695-01331	9	12
114699-01380	9	18
114699-01410	9	19
114699-01760	1	35
114699-12210	9	26
114699-22300	4	36
114770-61190	5	15
114770-61520	5	33
114770-61600	5	34
114770-61610	5	35
114771-11461	9	24
114780-61090	5	47
119810-23200	4	42
122710-01220	4	21
124060-23100	4	41
124195-77770	8	16
124298-77020	8	15
124550-51350	7	10
129100-77510	9	32

PARTS No.	Fig.	Ref.No.
129792-22400	4	37
160330-92730	9	7
160393-55050	9	31
160710-78710	8	39
171022-39470	1	50
183250-39450	1	48
183279-08210	10	2
183366-08290	1	47
183366-39460	1	49
183671-13211	9	28
183720-55210	6	4
183993-77410	10	3
714210-61700	5	16
714250-92100	9	5
714310-22500	4	30
714310-22540	4	53
714310-22550	4	59
71431C-23010	4	38
71431C-28510	4	45
714320-22580	4	57
714320-22620	4	51
714320-22720	4	28
71432C-14010	4	1
714339-51430	7	1
714339-53100	7	22
714650-23600	4	43
714650-23610	4	63
714650-23620	4	65
X2114274200	8	18
X2114715500	8	4
X2114811000	8	3
X211485016	8	11



YANMAR CO.,LTD.